

**Wattstemp serie: Basic Flush mounted thermostat.**



External sensor 10K

**MODES DESCRIPTION**

Electronic thermostat specially designed to control the Electrical floor heating.  
External pilot wire for night reduction (-4°K)

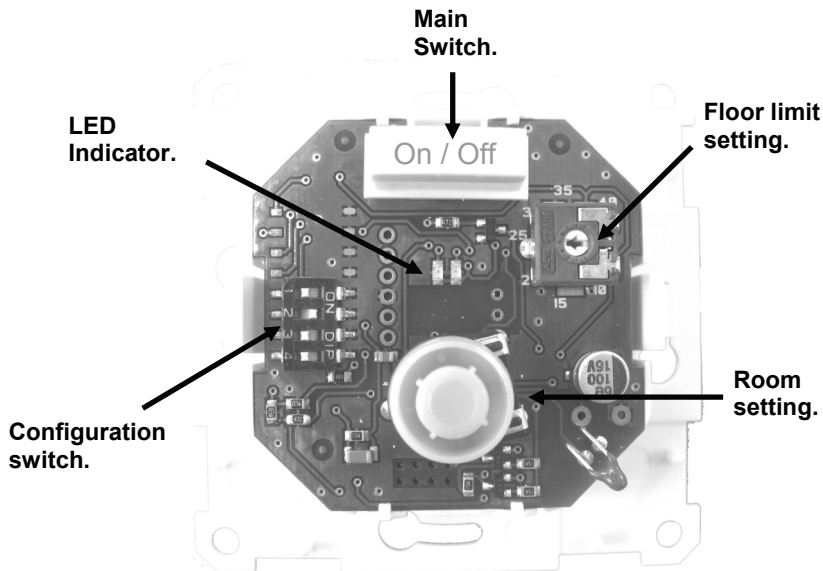
**Wattstemp 730:** Regulation on room sensor.

**Wattstemp 740:** Possibility to regulate either the floor or room temperature, or combined (in this case, the floor sensor is used as temperature limiter)

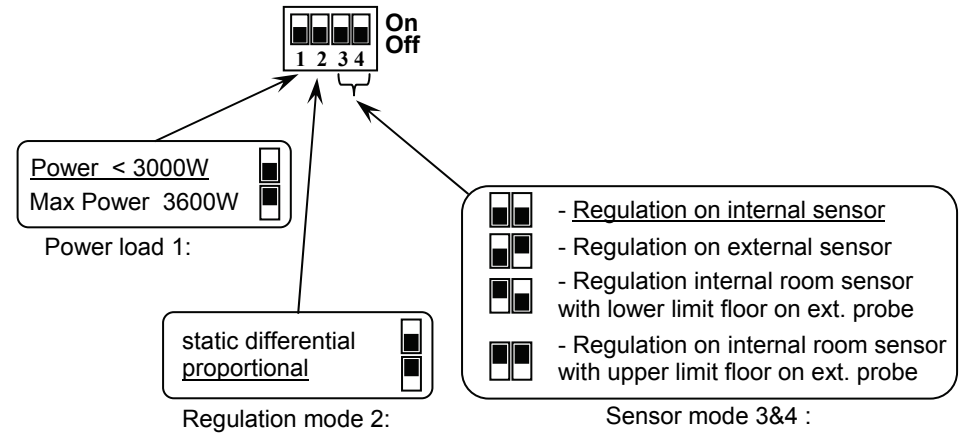
ON /OFF switch.

16A Relay .

The product is supplied with two fronts and frames (Square and round) for system ELKO RS/B&J JUSSI and ELJO TREND .



**CONFIGURATION SWITCH**



\* The defaults setting are underlined.

**LED INDICATOR**

- Red:** - Heating indication
- Green:** - reduction mode by clock (pilot wire)
- Orange:** - Heating during reduction mode by clock (pilot wire)

- Red blinking:**
  - 0.5 second cycle => Internal & external sensor failures
  - 1 second cycle => Internal sensor failure
  - 2 seconds cycle => External sensor failure

**TECHNICAL CHARACTERISTICS**

Measuring accuracy	±0,1°C
Operating temperature	0°C – 40°C
Setting temperature range	+5°C to 35°C
Floor limiting temperature range	10°C to 40°C
Regulation characteristics	Proportional band 10min for 2°K or Static differential 0.5°K
Electrical Protection	Class II - IP21
Color	Polar White RAL 9010
Main Switch	Two poles 16A
Output	Relay 16A 250Vac resistive load (AC1)
Power supply	230VAC ± 10%
External sensor	NTC 10k Ω 25°C (only supplied with Wattstemp 740)
Software version	V1.0x