

INSTALLATION INSTRUCTIONS

ROOFS, GUTTERS AND EAVES DE-ICING

Tertiary sector

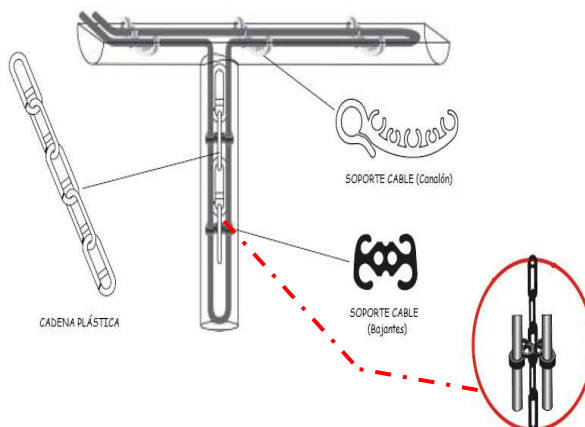
READ CAREFULLY !!!

- Before starting the installation, we must ensure the area is perfectly clean.
- Avoid stepping on the cable and handle the cable with caution during all installation.
- The cable should not be submitted to any weight higher than 25 kg.
- The cable should never be cut, neither submitted to air stream.
- The cable must be totally unwound and laid down avoiding any twisting during unwinding.
- The cable tightening should be done carefully to avoid any damage to the cable.
- The cable curvature should never be lower than 6 times its diameter.
- Cable resistance and insulation should be measured before and after the installation.

- The cable should be tightened within the eaves at a convenient distance (see picture below), by the mean of the specially designed clips.

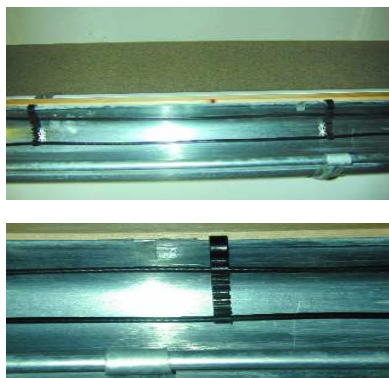


- A plastic chain should be hung within the gutter to install the cable in the same back and forth way used for the eaves. To avoid any cable overlap, it should be tightened to the chain by the mean of the specially designed gutter clip.

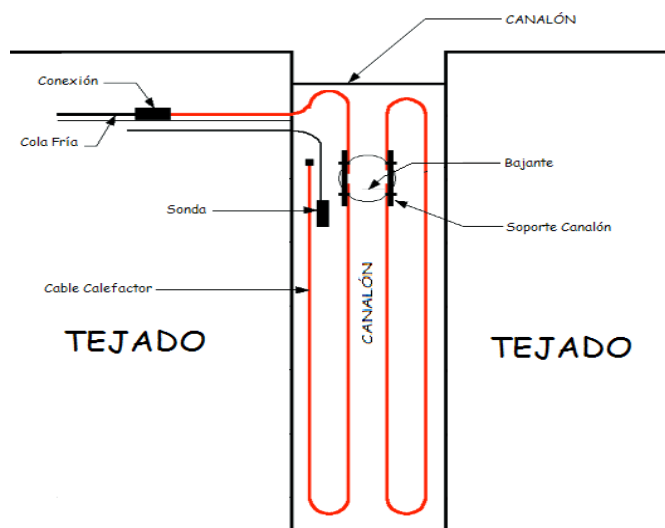


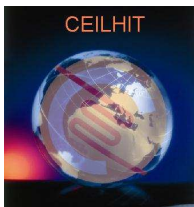
GUTTERS AND EAVES INSTALLATION

- The cable must be installed in the entire gutter length and width as many times as necessary, depending on its dimension (usually one time back and forth is enough).



INSTALLATION WITHIN AN EMBEDDED GUTTER DRAINPIPE





INSTALLATION INSTRUCTIONS

ROOFS, GUTTERS AND EAVES DE-ICING

Tertiary sector

ROOF INSTALATION



The cable must be installed following a "saw tooth" shape, with 30 cm repetition distance and a 50cm height at the base part of the roof.

Besides, the cable must be strongly tightened to the roof at different points on the entire length as it may be submitted to demanding climatic conditions.

REGULATING SYSTEM

The gutter sensor measures the moisture and the external sensor measures the temperature.



EXTERNAL SENSOR



GUTTER SENSOR

The system is triggered only if the outdoor temperature is lower than the set up temperature and if snow or ice is detected by the gutter sensor.



CONTROLLER

CONTROLLER CHARACTERISTICS	
Protection class	II
Operating voltage	230V AC $\pm 10\%$
Operating frequency	50 a 60Hz
Differential Stop/Run	0,3°C
Output relays	10A, 10A, 16A
Ambient temperature	0 a 50°C
Junction box	IP20 / IP21
Weight	495g
Dimensions	90 x 156 x 45mm

SENSOR CHARECTERISTICS		
	GUTTER	EXTERNAL
Detection	Moisture	Temperature
Ambient T°C	-20 / 70°C	-20 / 70°C
Dimensions	105x30x13mm	86x45x35mm
Class	IP68	IP54

MOUNTING:

